

Alpha Dog Silencers

PO Box 1314
Southbury, CT 06488
657-215-0440

www.alphadogsilencers.com



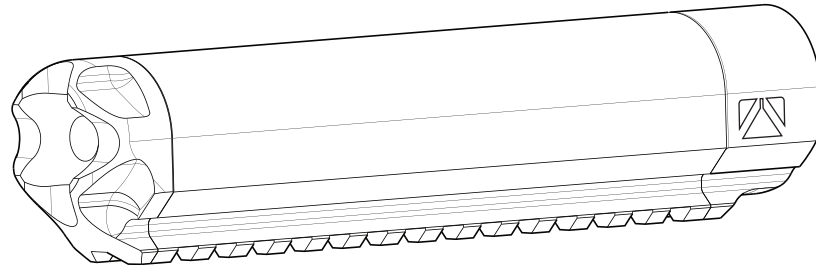
Copyright © 2015 Alpha Dog Design, LLC. All rights reserved.

No part of this publication may be reproduced, distributed, or transmitted in any form or by any means, including photocopying, recording, or other electronic or mechanical methods, without the prior written permission of the publisher, except in the case of brief quotations embodied in critical reviews and certain other noncommercial uses permitted by copyright law. First Edition.

ALPHA DOG

ALPHA SERIES SUPPRESSORS

ALPHA 9
ALPHA 40
ALPHA 45



OPERATOR MANUAL

Operate by instinct. Intelligence. Stealth.
Lead by strength. By example. By whatever means necessary.
Set the terms. Set the rules. Set the rest running.
See the challenge. Accept the challenge. Own the challenge.
Never give up. Never give in. Never ever back down.
Be fearless. Be relentless. Be a force to be reckoned with.
Question everything. Conform to nothing.
Silence the competition. Silence the critics. Silence the threat.
Intimidate. Innovate. Dominate.

THIS IS THE ALPHA DOG CODE.

⚠ WARNING ⚠

Failure to follow the manufacturer's installation, use, and maintenance instructions for this suppressor can result in damage to the suppressor and/or the host pistol as well as bodily harm or death. Do not attempt to use this product until you have read the instructions in their entirety.

⚠ WARNING ⚠

Do not attempt to use this product if you are not properly trained in firearms use and safety. Improper handling of any firearm can result in personal injury or death.

⚠ WARNING ⚠

A Suppressor is controlled by the National Firearm Act and requires specific Federal and State licensing and registration. Possession of suppressors by anyone without proper licensing is strictly prohibited and subject to fines and/or imprisonment. Be certain to know all Federal and local laws.

Table of Contents

Introduction	1
Disclaimer	2
Getting Started	3
Component Diagram	7
Mounting	9
Indexing the Rail.....	15
Disassembly.....	19
Cleaning.....	28
Usage.....	30
Warranty.....	34

Introduction

Thank you for your purchase of this Alpha Series Suppressor. We at Alpha Dog welcome you to our growing “pack” of supporters and are confident that, like all the others, you’ll be pleased with the advantages of our suppressor over others.

We all shoot for different reasons. The heat of competition. In the line of duty. For pure sport. But whether it’s on the practice range or against the clock, regardless of what target is in our sights, one common bond unites us: We don’t shoot to succeed—we shoot to dominate the field. For this reason, Alpha Dog’s suppressors are precision engineered to look, feel, and act as a natural extension of your host firearm.

Your safety is very important to us. For this reason, it is essential that you read and understand this manual in its entirety before using your suppressor. In the pages that follow, we will outline proper usage, assembly and disassembly, as well as advise critical warnings which will ensure your safety.

Disclaimer

The manufacturer, Alpha Dog Silencers, is not responsible for the improper use of this suppressor. This product has the potential to be extremely dangerous. It is the user's responsibility to understand all instructions and warnings within this manual. If the instructions are not understood and/or further clarification is needed, please contact the manufacturer directly at 657-215-0440 before use.

⚠ WARNING ⚠

Sound suppressors may reduce the noise associated with a firearm discharge, but they do not reduce the lethality of firearms and could result in bodily injury or death. The safe handling requirements for a firearm equally apply to all Alpha Dog Suppressors and only those trained with the proper handling of firearms are authorized to use the product.

Getting Started

Alpha Dog's suppressors are designed to work with specific host firearm calibers. Each suppressor is marked with the caliber it is bored for use with on the suppressor body. It is possible to use the suppressor on lesser bored calibers. A list of acceptable compatibility follows:

Alpha 45 = .45 ACP, .40 S&W, 9mm & .22

Alpha 40 = .40 S&W, 9mm & .22

Alpha 9 = 9mm, .22

⚠ WARNING ⚠

When coupled with a firearm whose caliber is smaller than that marked on the suppressor body, the suppression levels may no longer be low enough to eliminate the need for in-ear or on-ear protection.

Getting Started (Cont'd)

Your suppressor connects to your host pistol via the supplied threaded "Piston." Pistons are available in all of the most common thread pitches found on .45, .40, 9mm and .22 caliber threaded barrels. Consult your host firearm's owner's manual to determine the proper thread pitch needed.

Alpha Dog Suppressors can be used on both floating barrel pistols (Browning Action type) and fixed barreled pistols. When used on floating barreled hosts, the user must use the spring booster assembly (stock configuration) to ensure proper weapon cycling. When using the suppressor on fixed barrel hosts, the user must replace the spring in the booster assembly with a fixed barrel spacer (not included). Fixed barrel spacers are available for purchase at www.alphadogsilencers.com.

⚠ WARNING ⚠

Never use the booster spring on fixed barrel host firearms as this could result in damage to the host weapon, malfunction, personal injury or death.

Getting Started (Cont'd)

Your suppressor was designed to reduce the sound signature (noise) of your host firearm. It accomplishes this by slowing and cooling the rapidly expanding gasses associated with firearm discharge. This process creates heat. Alpha Dog's patent pending design uses the picatinny rail to dissipate heat reducing the suppressor's exterior temperature as much as 20% over other designs. The suppressor still gets hot! Never hold the suppressor while firing and use caution when removing the suppressor from the host after use. Alpha Dog highly recommends the use of gloves when removing a suppressor from the host after use.

Your suppressor must be free of bore obstructions before use. Never attempt to shoot through an obstructed suppressor.

⚠ WARNING ⚠

Your suppressor is only rated for semi-automatic fire. Never use your Alpha Series suppressor on fully automatic firearms as it can result in damage to your suppressor, personal injury or death.

Getting Started (Cont'd)

Suppressors increase the back pressure of the host firearm. This can result in “blow back” through the barrel and out the breach of the host while firing. In some instances, the user may feel warm air, subsequent carbon or powder fouling, etc. blowing back towards them. ALWAYS wear eye protection when using your Suppressor.

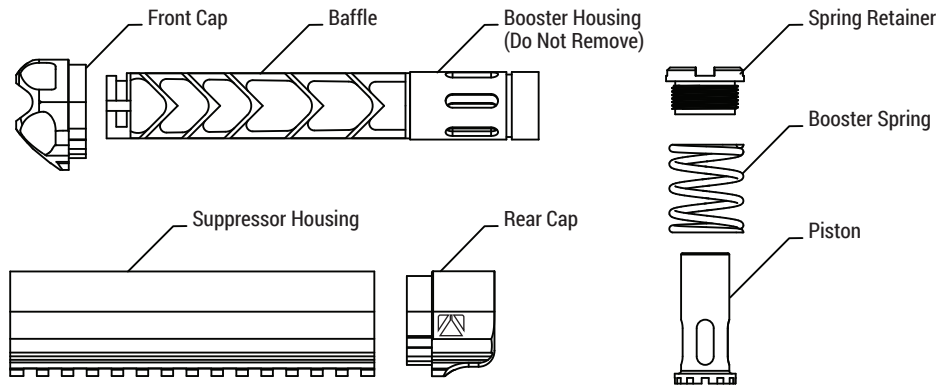
Alpha Series suppressors can be used “wet” or “dry.” If you choose to use your suppressor “wet,” it is recommended that you place a small amount (5 cc or 1 tsp) of ablative medium, such as Alpha Dog’s Dog Slobber, in the rear (piston end) of the suppressor. When ablative medium is used, it is highly recommended to clean both suppressor and host firearm after every use.

⚠ WARNING ⚠

Always wear eye protection when shooting, especially when using your suppressor. Increased back pressure caused by suppressor use can be harmful to the shooter’s eyes.

6.

Component Diagram



7.

⚠ WARNING ⚠

Prior to installing or removing your Alpha Dog Suppressor from your host firearm, be sure that the weapon is properly unloaded with magazine removed and action locked in the open position. Visibly inspect that there is no ammunition present prior to installation or removal. If you are unsure of the proper procedure for clearing your firearm, please consult your firearm user manual, the manufacturer of your firearm, your firearm retailer or other licensed/qualified individual.

⚠ WARNING ⚠

NEVER install or remove a suppressor from a loaded firearm.

⚠ WARNING ⚠

Failure to follow the instructions and warnings outlined in this manual can result in damage to your suppressor and/or host firearm, personal injury or death.

8.

Mounting to a Host Firearm

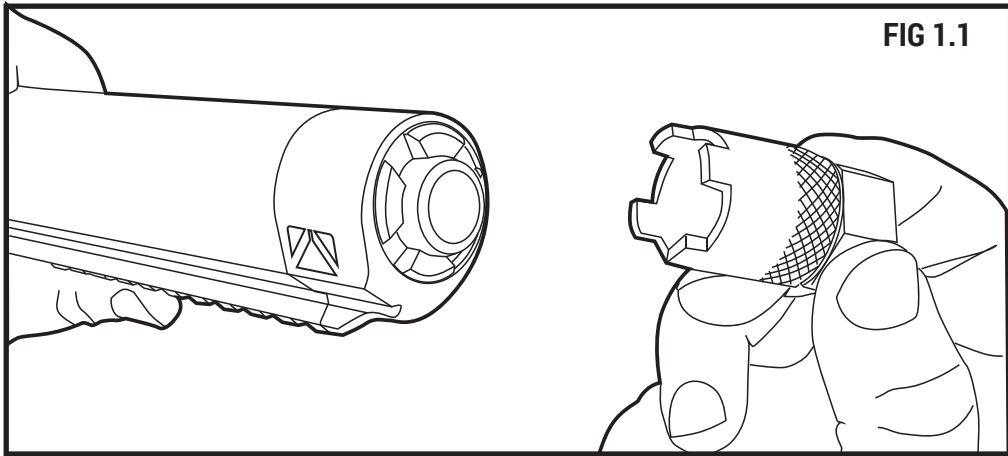
Alpha Dog Suppressors attach to host firearms with the threaded "Piston." Pistons are available in all of the common thread types found on .45, .40, 9mm and .22 threaded barrels. Before installation, be certain that you have the correct Piston for the threads specification on your barrel.

PART ONE: Piston Installation

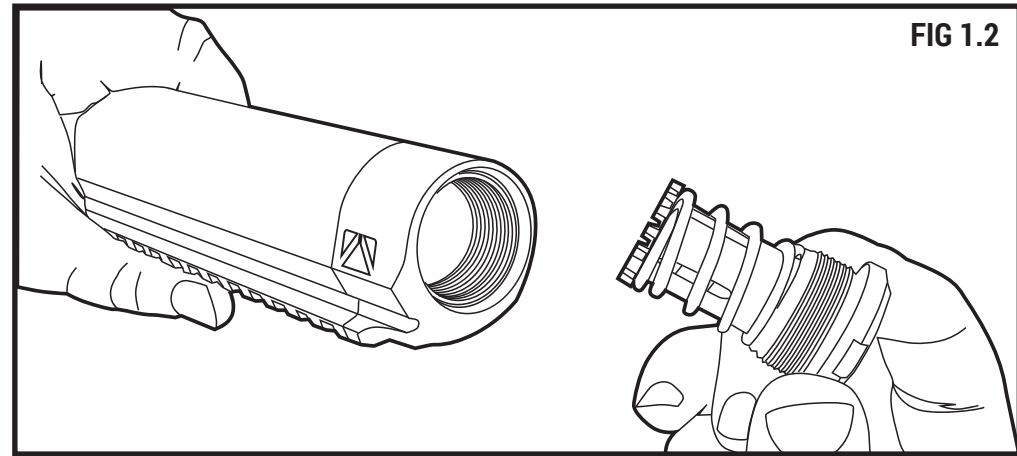
1. Using the supplied assembly tool, remove the spring retainer. To loosen the retainer, insert the four prongs of the tool into the four slots of the spring retainer and turn the tool counter clockwise. Fig 1.1
2. Slide the spring over the piston.
3. Slide the spring retainer over the piston, trapping the spring in place.
4. Place the piston/spring/spring retainer assembly into the suppressor and hand tighten the spring retainer with the assembly tool by turning the spring retainer clockwise. Fig 1.2

NOTE: It is only necessary to HAND TIGHTEN (40-60 in/lbf) the spring retainer. Over-tightening can result in damage to the suppressors baffle assembly.

9.



10.



11.

Mounting to a Host Firearm (Cont'd)

NOTE: Thread-mounted suppressors are known to loosen during use. Continuing to fire through a loose suppressor will result in damage to the baffles, inaccurate discharge, and potential harm to the operator or others. It is the responsibility of the operator to ensure that the suppressor remains tightly secured to the host firearm during use.

Alpha Dog suggests that the operator ensures that the piston remains tightly seated to the shoulder of the barrel after every 30 rounds discharged.

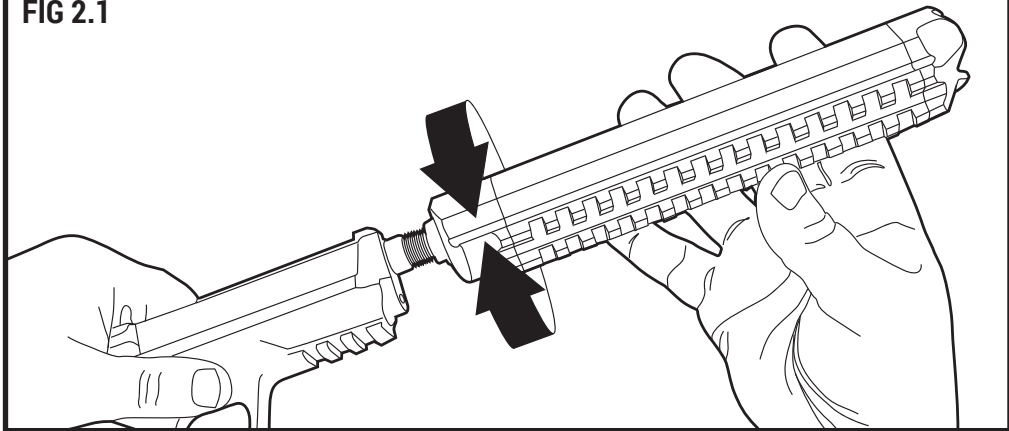
Mounting to a Host Firearm (Cont'd)

With the correct piston installed into your suppressor, you can now attach the suppressor to your firearm. As mentioned previously, ensure your firearm is unloaded and no ammunition is present. When the suppressor has been properly installed, the piston will be firmly seated against the shoulder of the threaded barrel. If you feel undue resistance while tightening or if the suppressor feels loose after seating against the barrel's shoulder, you must NOT use it. Contact your retailer or Alpha Dog Silencers to resolve the issue.

PART TWO: Installation to Firearm

1. Align the suppressor piston threads with the threads of the firearm barrel and tighten. Fig 2.1
2. Continue hand tightening until the piston firmly seats against the shoulder of the threaded barrel.
3. Perform a safety check by ensuring there is no wiggle/play between the suppressor and the barrel.
4. To remove the suppressor from the host; clear the weapon by removing the magazine and locking the action, then reverse the above procedure.

FIG 2.1

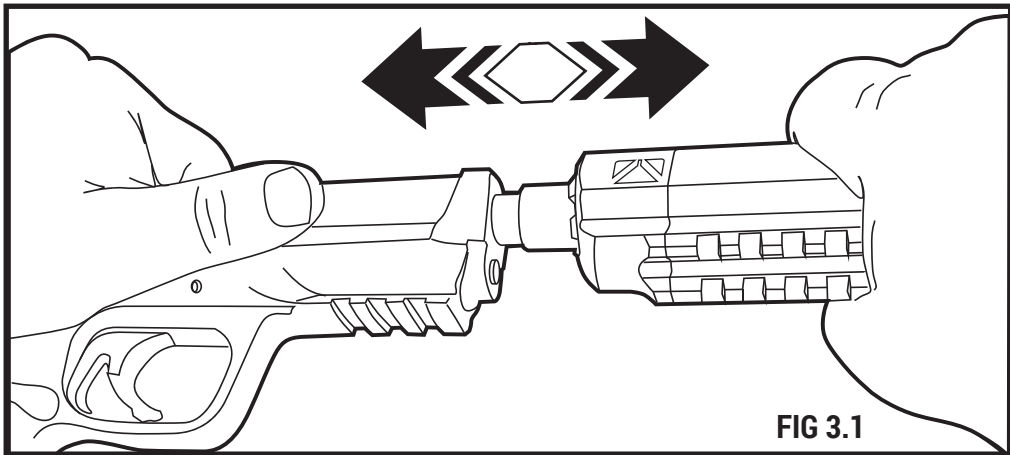


Indexing the Accessory Rail

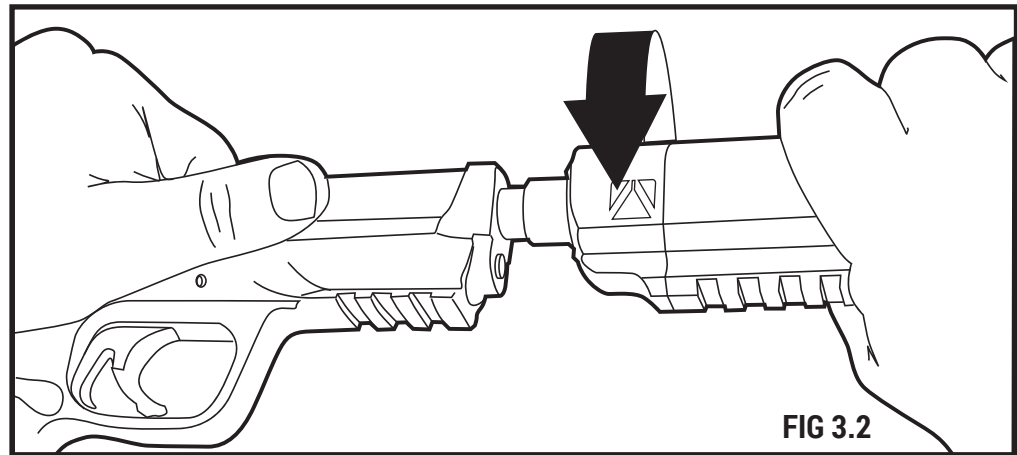
The Alpha Series Suppressor's integrated accessory rail will need to be "indexed" after the suppressor is installed on the host pistol. As mentioned previously, ensure your firearm is still unloaded and no ammunition is present. The accessory rail can be indexed in 30 degree increments around the center of the barrel. Choose the best rail position for the accessory you will be using.

TO INDEX THE RAIL:

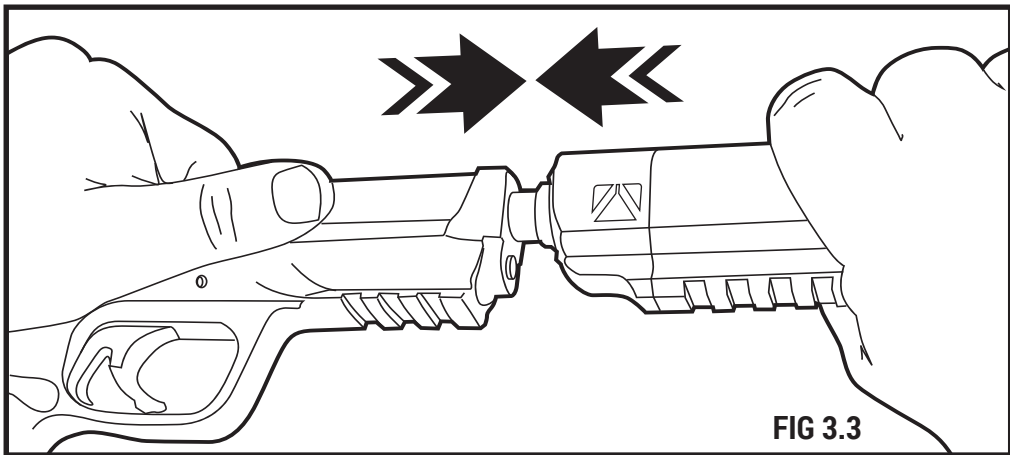
1. With the suppressor securely attached to the host firearm, pull the suppressor away from the host pistol. Fig 3.1
2. With the suppressor pulled away from the host, twist the rail to the desired position. Fig 3.2
3. Release the separation pressure between the suppressor and host firearm, allowing it to lock into the new position. Fig 3.3



16.



17.



18.

⚠ WARNING ⚠

Prior to installing or removing your Alpha Dog Suppressor from your host firearm, be sure that the weapon is properly unloaded with magazine removed and action locked in the open position.

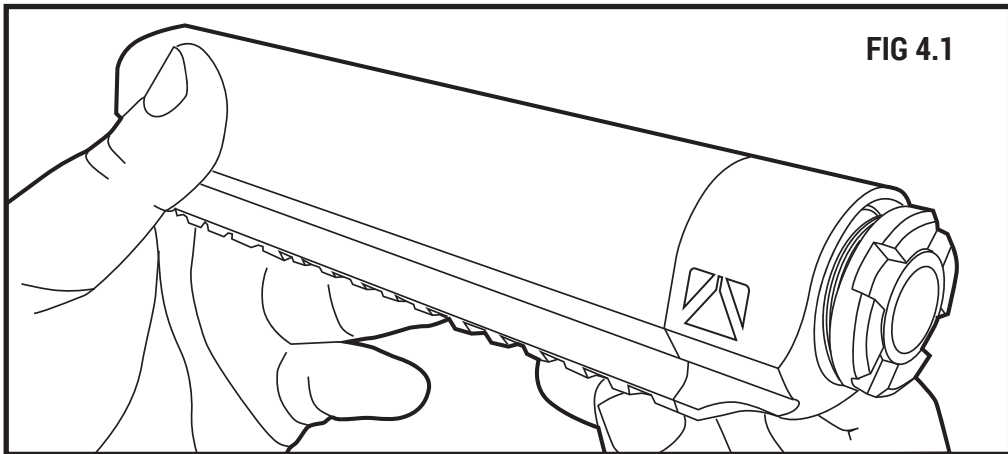
Disassembly

Your Alpha Series suppressor was engineered to be disassembled by the user for cleaning, maintenance, and inspection. Suppressors will contain much of the discharge debris associated with firing such as carbon, powder fouling, etc. Buildup on the baffle assembly will occur over time, reducing the effectiveness of the suppressor. **It is recommended that you clean and inspect your suppressor regularly after each use.**

TO DISASSEMBLE:

1. Using the supplied assembly tool, loosen the spring retainer by inserting the four prongs into the corresponding slots of the spring retainer. Turn counter clockwise. Fig 1.1
2. Loosen the spring retainer until only 1-2 threads are still engaged. Fig 4.1

19.



20.

Disassembly (Cont'd)

3. Place the suppressor on a hard, non-marking surface and apply gentle pressure until the front cap dislodges from the suppressor body. Fig 4.2

⚠ WARNING ⚠

Do NOT slam the suppressor onto the surface. This may result in damage to the retainer nut threads and/or internal components of the suppressor.

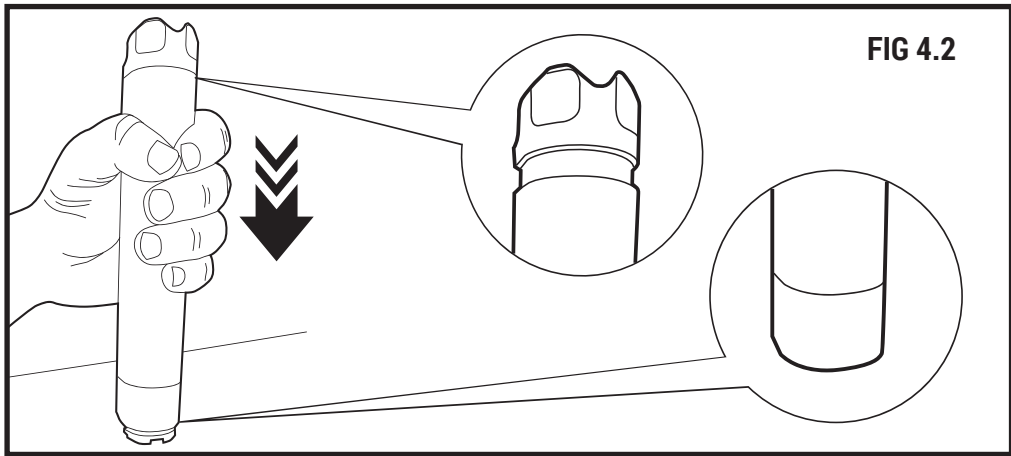
4. Remove the piston/spring/spring retainer from suppressor. Fig 4.3

5. Grasp the front cap and gently slide the baffle assembly out of the suppressor body. Fig 4.4

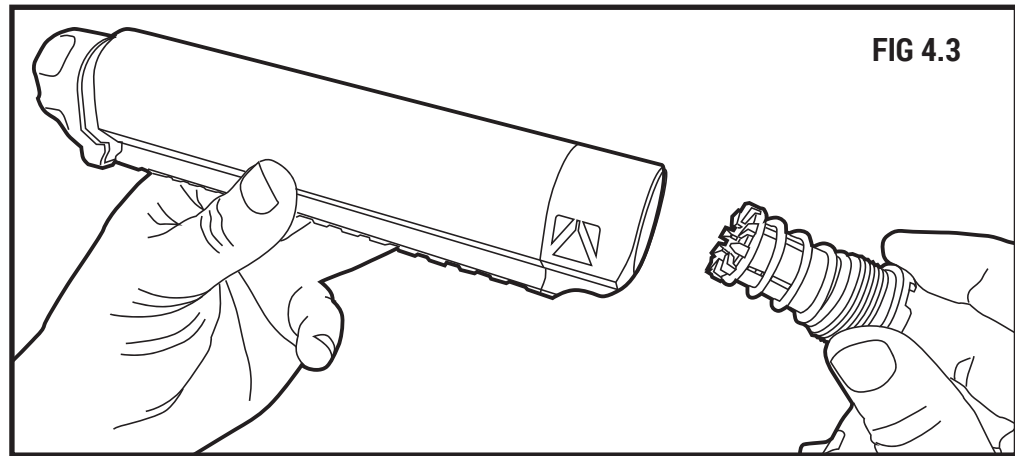
6. While holding the suppressor body, grasp the rear cap and remove it from the suppressor body. Fig 4.5

7. Reverse the above procedure to reassemble.

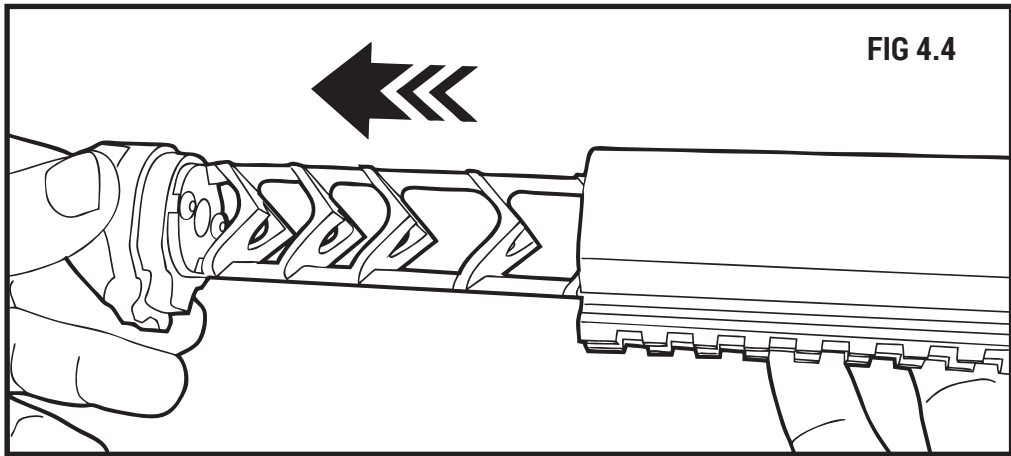
21.



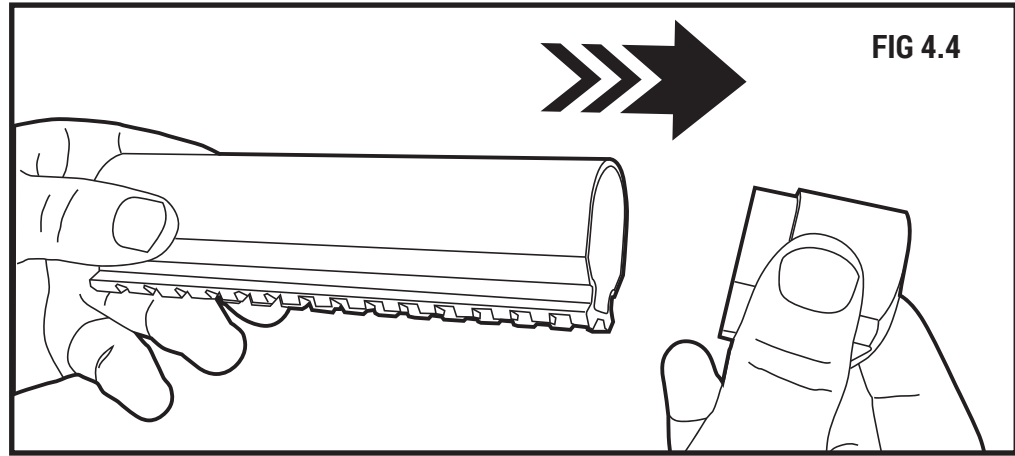
22.



23.



24.



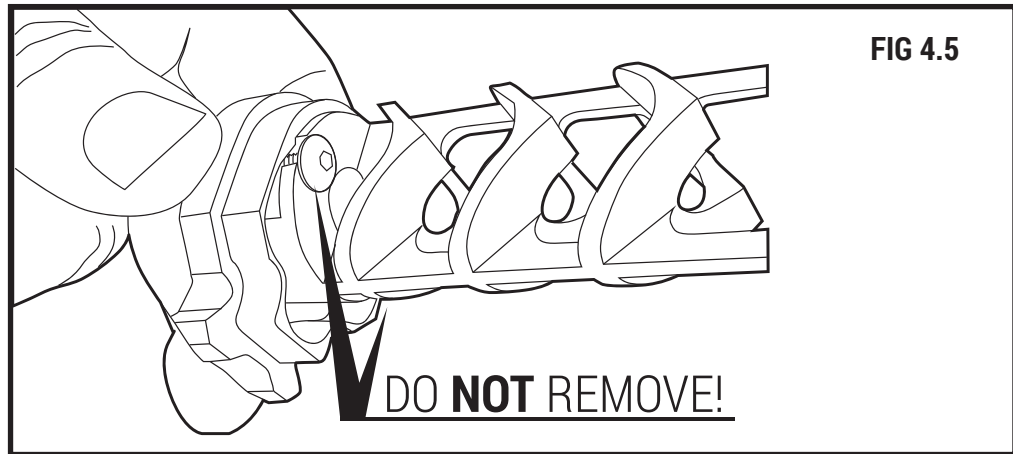
25.

⚠ WARNING ⚠

Do NOT remove the two screws which attach the front cap to the baffle. These bolts have been permanently secured in position to ensure proper alignment and prevent accidental decoupling. Any signs that these bolts have been tampered with will void the manufacturer's warranty. Refer to Fig 4.5.

⚠ WARNING ⚠

Failure to follow the assembly/disassembly instructions precisely can result in suppressor and/or host firearm malfunction, injury to self and others. If, at any point, you are uncertain of the instructions, please contact an authorized Alpha Dog dealer or Alpha Dog Silencers. Never use a suppressor which you suspect may have been improperly assembled.



Cleaning

Your Alpha Series suppressor was engineered to be disassembled by the user for cleaning, maintenance, and inspection. Suppressors will contain much of the discharge debris associated with firing such as carbon, powder fouling, etc. Buildup on the baffle assembly will occur over time, reducing the effectiveness of the suppressor. **It is recommended that you clean and inspect your suppressor regularly after each use.**

At minimum, your suppressor should be cleaned after every 300 rounds when used “dry” and after each use when used “wet.”

⚠ WARNING ⚠

Prior to using any chemical solvent, be sure to thoroughly read its usage and warning instructions. Most chemical solvents are toxic. The user should always wear the proper skin and eye protection and be in a well-ventilated area during use.

Cleaning (Cont'd)

1. Disassemble the suppressor. pp.19-27
2. Separate the components of the booster assembly (spring retainer, spring and piston). p. 7
3. Using gun cleaner, or similar chemical solvent, clean the booster assembly components. Only use a cloth or PLASTIC brush while cleaning.
4. Place 1-2 drops of gun oil such as Rem oil or Rand CLP onto the spring retainer's threads and “O” ring.
5. Reassemble the booster assembly.
6. Using gun cleaner, or similar chemical solvent, clean the baffle assembly components, suppressor housing, front and rear caps. Only use a cloth or PLASTIC brush while cleaning.
7. (OPTIONAL) Using a Q-tip, wipe a small amount of Rand CLP onto the baffle assembly. This will help prevent future carbon buildup on the baffle assembly.
8. Reassemble the suppressor by reversing the disassembly instruction. pp.19-27

Usage

Now that you know everything there is to know about how to mount, index, disassemble, clean and assemble your new Alpha Dog Suppressor, let's discuss what you can expect when using it.

POINT OF IMPACT (POI)

Most users find that the addition of a suppressor changes the POI from what they are accustomed to when shooting unsuppressed. This is normal and attributed to "Freebore Boost." With freebore boost, the expanding gasses escape from the barrel and continue to push the projectile inside the suppressor. In essence, the addition of a suppressor extends the barrel adding 2-3% more velocity to the projectile. Although minor, this will change the POI of the projectile.

It is recommended that users document POI unsuppressed and suppressed for each host at varying distances to ensure accuracy during use. In an effort to assist you, your POI can be documented on the chart featured on pages 32-33.

Usage (Cont'd)

USING RAIL ACCESSORIES

Alpha Dog's patent pending design enables user's to attach accessories to the suppressor via its integrated picatinny rail. The use of accessories can aid in the users stability, accuracy, and control; however, it is important to note that accessories do get exposed to varying heat levels based on the rate of fire. It is the user's responsibility to ensure that any accessory attached to the suppressor has a heat rating which exceeds suppressor temperatures during use.

As a general guide, below are some suppressor temperatures which can be expected during normal use.

10 ROUNDS PER MINUTE	15 ROUNDS PER MINUTE	25 ROUNDS PER MINUTE	30 ROUNDS PER MINUTE	50 ROUNDS PER MINUTE
85-90° F	105-115° F	130-140° F	150-160° F	180-200° F

Limited Lifetime Warranty

Alpha Dog Silencers will repair or replace free of charge any silencer manufactured by Alpha Dog Silencers for the duration of this limited lifetime warranty. This warranty is of unlimited duration and covers, at Alpha Dog Silencers discretion, service repair and/or replacement of damaged products caused by normal use.

LIMITATIONS TO THE WARRANTY

This warranty does not cover damage to the suppressor and/or host firearm resulting from criminal, abusive and/or negligent use, improper care and/or handling, unauthorized modifications, defective ammunition, hand-loaded ammunition, reloaded ammunition, or neglect. Any repairs due to these factors will be invoiced to the owner.

Baffle strikes which are not due to a defect in workmanship will be invoiced.

Limited Lifetime Warranty (Cont'd)

Alpha Dog Silencers defines "negligent and abusive" as utilizing the suppressor in a way that is likely to result in damage to the suppressor and/or host firearm and/or rail mounted accessory. This limited lifetime warranty does not cover usage in any manner not described within this manual.

This expressed Limited Lifetime Warranty is the only warranty for this product. There are no implied warranties which exceed beyond the aforementioned Limited Lifetime Warranty.

If your suppressor requires service and is not covered under this warranty, you may have the product replaced for 50% of the current manufacturer's suggested retail price.